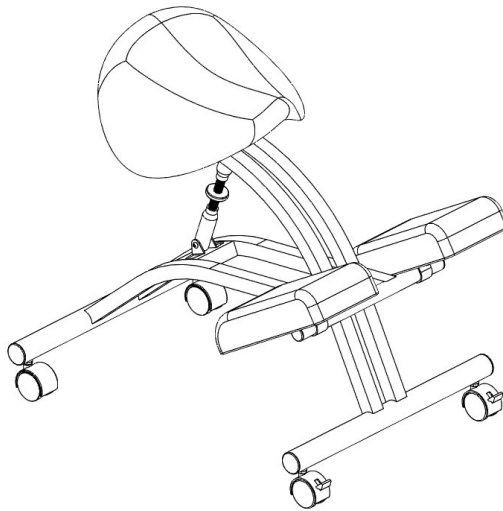


---

## Black Saddle Seat Kneeling Chair with Wheels

### Instruction Manual



**SKU: CHAIR-K07SD**



Scan the QR code with your mobile device or follow the link for helpful videos and specifications related to this product.

<https://vivo-us.com/products/chair-k07sd>

---

GET IN TOUCH | Monday-Friday from 7:00am-7:00pm CST



help@vivo-us.com



www.vivo-us.com  
*Chat live with an agent!*



309-278-5303

# **WARNING!**

If you do not understand these directions, or if you have any doubts about the safety of the installation, please call a qualified technician. Check carefully to make sure there are no missing or defective parts. Improper installation may cause damage or serious injury. Do not use this product for any purpose that is not explicitly specified in this manual. Do not exceed weight capacity. We cannot be liable for damage or injury caused by improper mounting, incorrect assembly or inappropriate use.

 **WARNING:** THIS PRODUCT CAN RESTRICT CIRCULATION TO LEGS WITH PROLONGED USE.

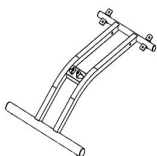
 **WARNING: CHOKING HAZARD**

SMALL PARTS - NOT FOR CHILDREN UNDER 3 YEARS. ADULT SUPERVISION IS REQUIRED.

## PACKAGE CONTENTS



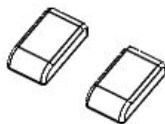
**A (x1)**  
Front Frame



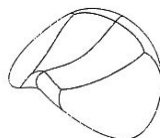
**B (x1)**  
Rear Frame



**C (x1)**  
Adjustable  
Support



**D (x1)**  
Knee Pad Set



**E (x1)**  
Saddle Seat



**F (x2)**  
Non-Locking  
Casters



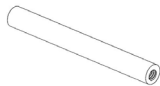
**G (x2)**  
Locking  
Casters



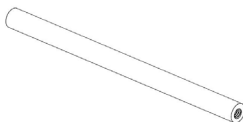
**S-A (x6)**  
M6x10  
Screws



**S-B (x1)**  
Short Sleeve  
Nut



**S-C (x1)**  
Medium Sleeve  
Nut



**S-D (x1)**  
Long Sleeve  
Nut



**S-E (x4)**  
Washers



**S-F (x7)**  
M6x18  
Screws



**S-G (x7)**  
Locking  
Washers



**T-A (x2)**  
5mm Allen  
Wrench



**T-B (x1)**  
Wrench

DO NOT EXCEED WEIGHT CAPACITY.

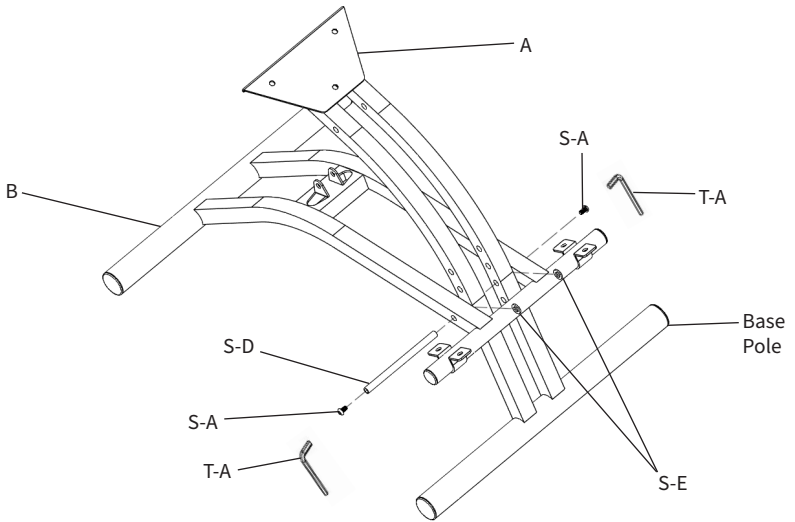
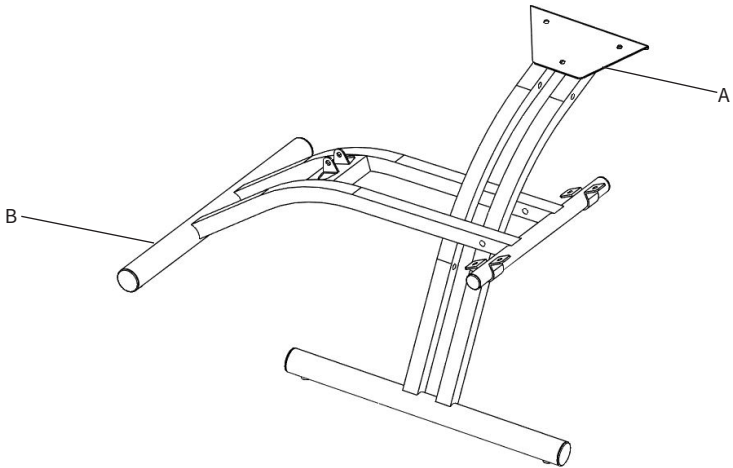
Failure to do so may result in serious injury.

**250 lbs**  
**(113.40kg)**

# ASSEMBLY STEPS

## STEP 1

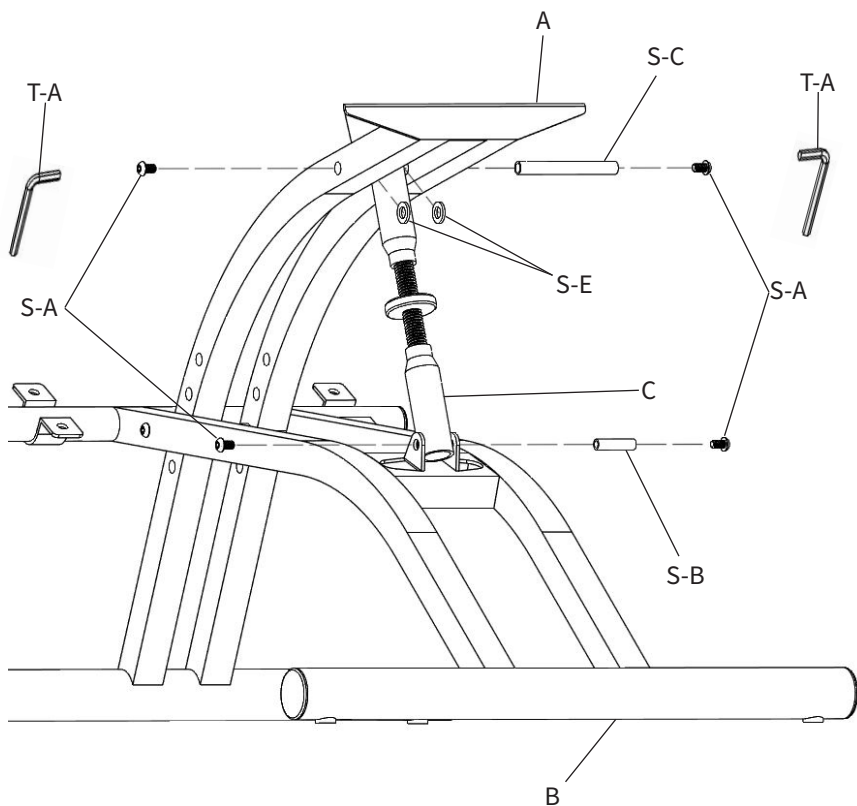
Rotate the Front Frame (A) and slide it through the bars on the Rear Frame (B). Then rotate the Front Frame (A) again and align it with one of the four positions on the Front Frame (A). Note, you will want to pick a closer position to the base pole the taller you are. Secure it using the Long Sleeve Nut (S-D), Washers (S-E), and M6x10 Screws (S-A). Insert the washers (S-E) between the outside of the bars on the Front Frame (A) and the inside of the bars on the Rear Frame (B). Tighten using the two 5mm Allen Wrenches (T-A).



## STEP 2

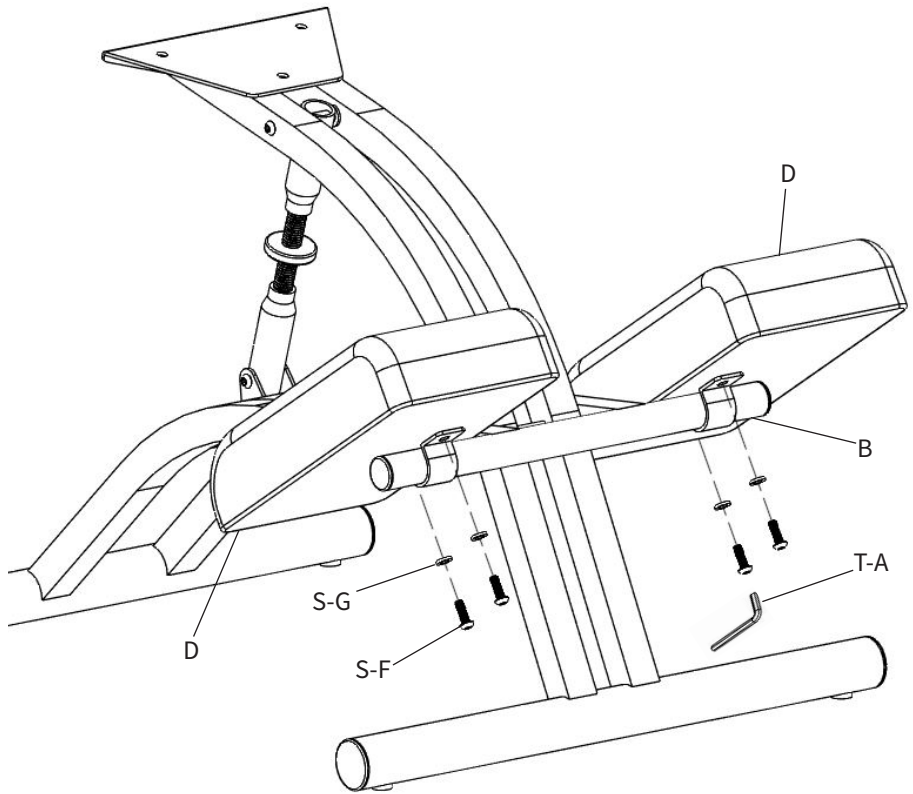
Install the Adjustable Support (**C**) to the Front Frame (**A**) using the Medium Sleeve Nut (**S-C**), Washers (**S-E**), and M6x10 Screws (**S-A**). The Washers (**S-E**) should be placed between the inside of the bars on the Front Frame (**A**) and the Adjustable Support (**C**). Tighten using the two 5mm Allen Wrenches (**T-A**).

Attach the other end of the Adjustable Support (**C**) to the Rear Frame (**B**) using the Short Sleeve Nut (**S-B**) and Screws (**S-A**). Tighten using the two 5mm Allen Wrenches (**T-A**).



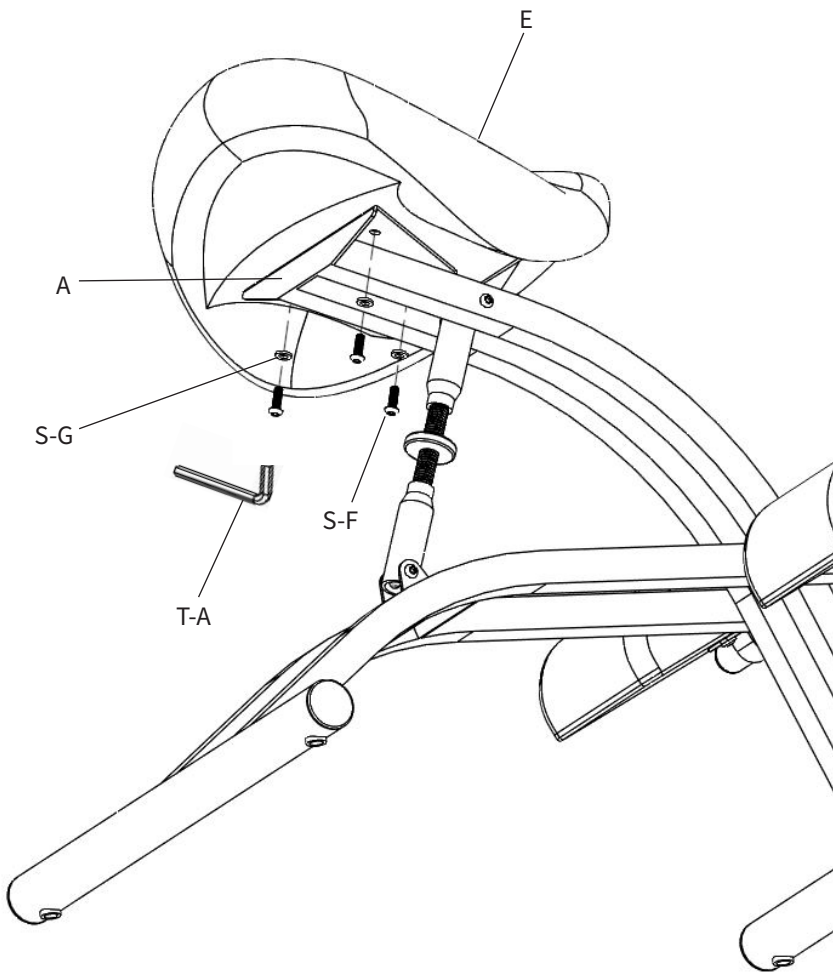
### STEP 3

Attach the Knee Pad Set (**D**) to the brackets on the Rear Frame (**B**) using M6x18 Screws (**S-F**) and Locking Washers (**S-G**). Tighten using the 5mm Allen Wrench (**T-A**).



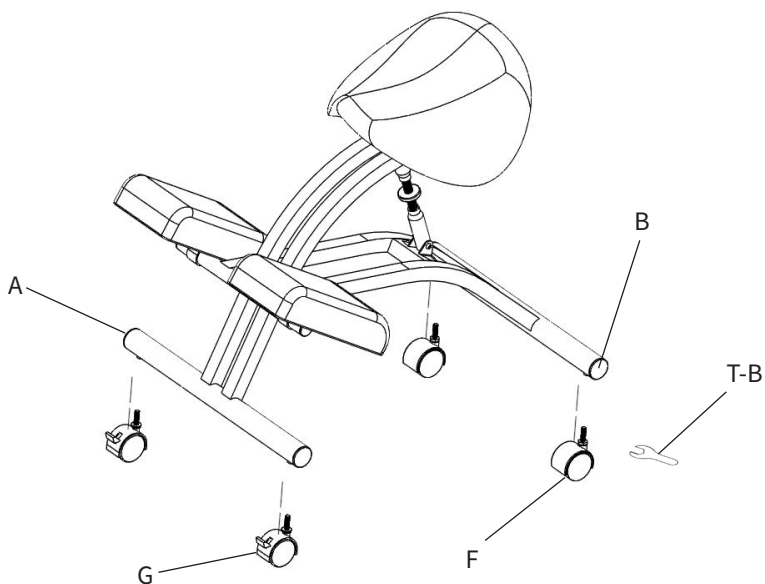
**STEP 4**

Install the Saddle Seat (**E**) onto the platform on the Front Frame (**A**) using one of the two sets of mounting hole locations on the Saddle Seat (**E**). Note, if you are taller, you will want to choose the set of holes closest to the front of the Saddle Seat (**E**). Secure using the M6x18 Screws (**S-F**) and Locking Washers (**S-G**). Tighten using the 5mm Allen Wrench (**T-A**).



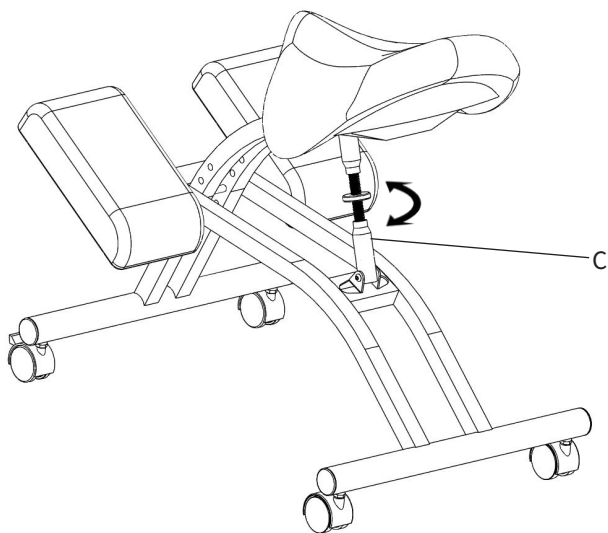
## STEP 5

Attach the Locking Casters (**G**) to the Front Frame (**A**) and the Non-Locking Casters (**F**) to the Rear Frame (**B**). Tighten using the Wrench (**T-B**).



## Step 6

Adjust the seat height and angle by turning the knob on the Adjustable Support (**C**).





Open **Monday - Friday 7:00am - 7:00pm** CST,  
our dedicated support team can offer immediate assistance with rapid response times. If any parts are received damaged or defective, please contact us. We are happy to replace parts to ensure you have a fully functioning product.

 [help@vivo-us.com](mailto:help@vivo-us.com)

**AVG. RESPONSE TIME** (*within office hrs*): **1HR 8M**

- 23% within < 15m
- 38% within < 30m
- 61% within < 1hr
- 83% within < 2hr
- 92% within < 3hr



[www.vivo-us.com](http://www.vivo-us.com)  
*Chat live with an agent!*

**AVG. RESOLUTION TIME** (*within office hrs*): **< 15 M**



309-278-5303

**AVG. RESOLUTION TIME** (*within office hrs*): **5M 4S**